

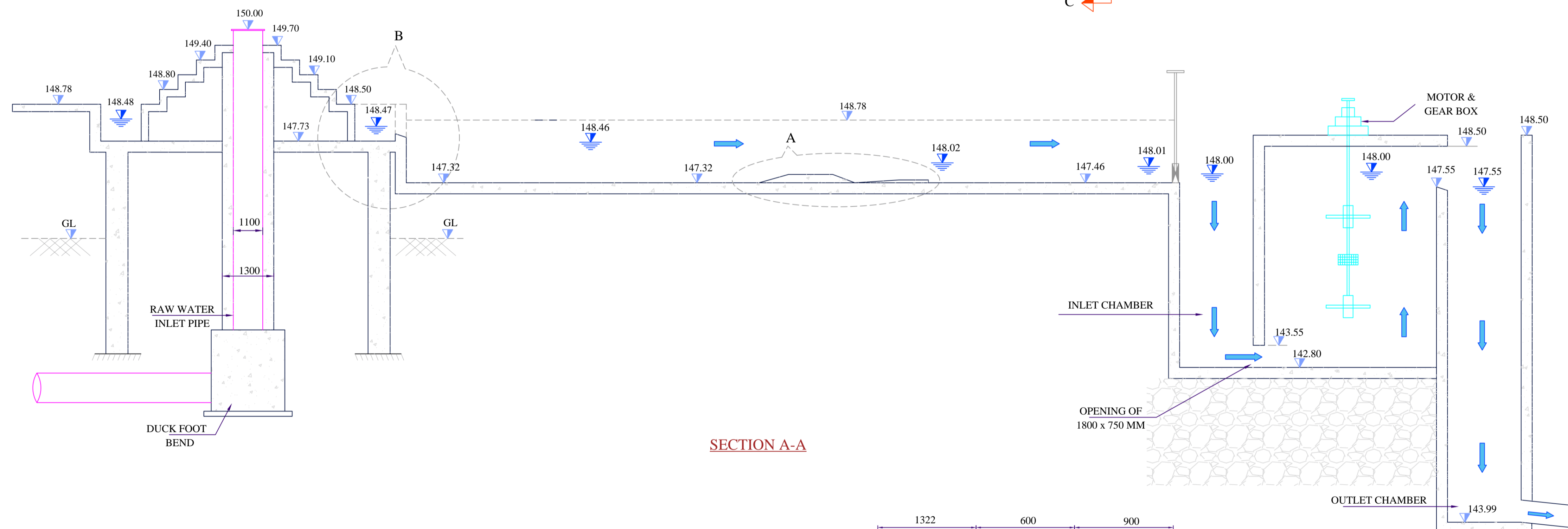
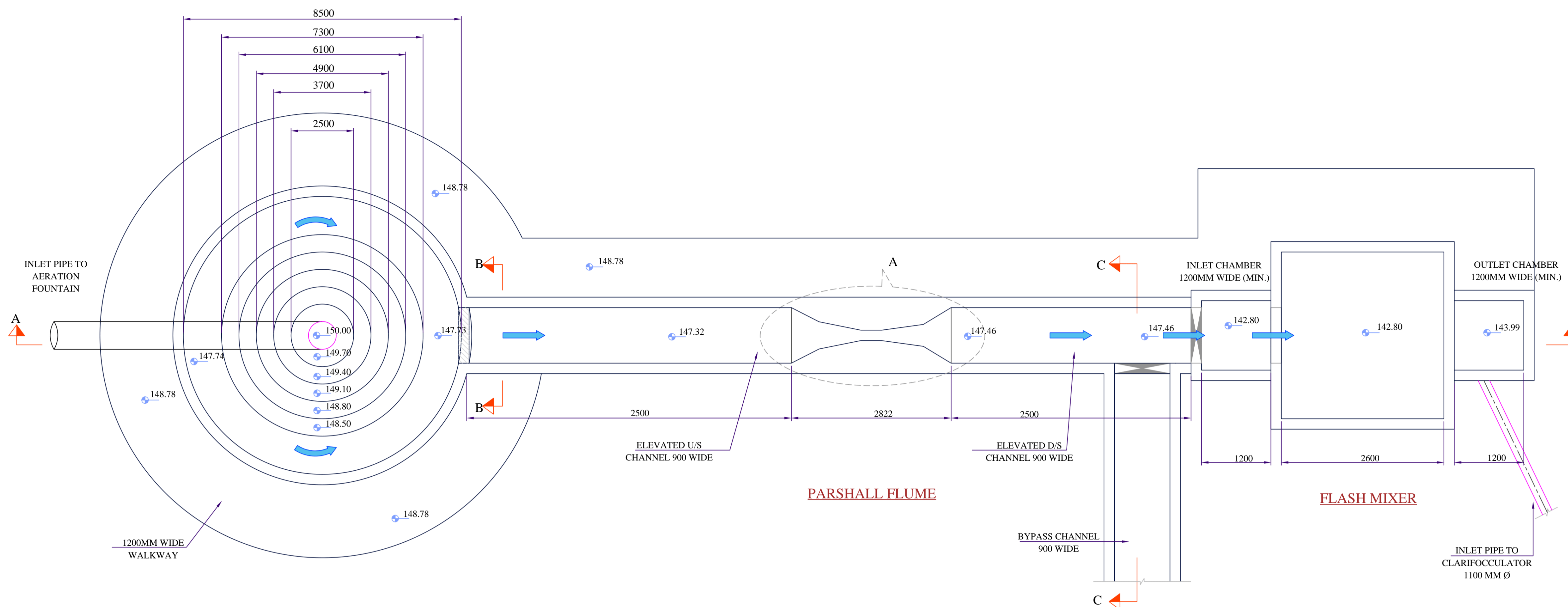
**GENERAL NOTES:-**

1. THESE ARE SOFTWARE GENERATED HYDRAULIC AND PROCESS DRAWINGS.
2. R/L'S AND INTERNAL SIZES ARE MANDATORY. FOR WALL THICKNESS AND OTHER DETAILS PLEASE REFER WORKING DRAWINGS.
3. ALL DIMENSIONS ARE IN MM. LEVELS AND CO-ORDINATES ARE IN METERS UNLESS OTHERWISE NOTED.
4. DO NOT SCALE THE DRAWINGS PLEASE REFER TO WRITTEN DIMENSION ONLY.
5. VALES, PIPES, PUMPS, BLOWERS, MOTORS, ETC. SHALL BE OF STANDARD MAKE AS PER TENDER SPECIFICATION.
6. ADMIN BUILDING LAYOUT TO BE INCORPORATE AS PER REQUIREMENT WITH FILTER BED IN WORKING DRAWINGS.
7. ALL CHANNELS ARE TO BE CORVED WITH PRECAST SLAB.
8. RAILING, LIGHTING ARRESTOR AND HIDDEN DETAILS ARE AS PER UNIT WHEREVER APPLICABLE.
9. LENGTH OF PIPELINE TO BE TAKEN AS PER SITE LAYOUT AND WORKING DRAWINGS.
10. SYMBOLS USE IN DRAWINGS:-

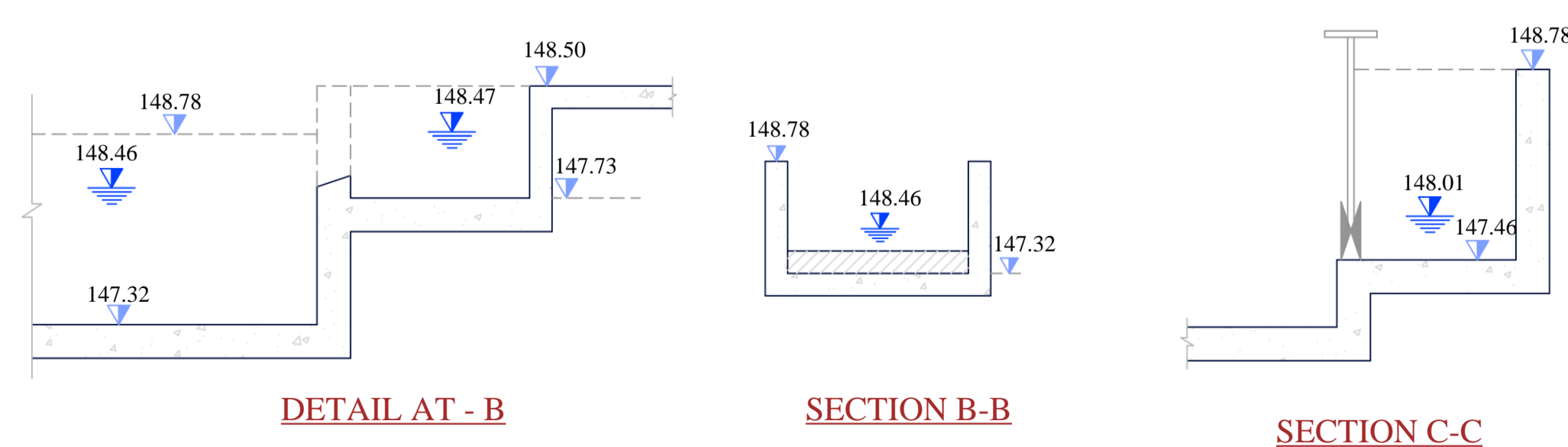
SR. NO.	SYMBOL	INDICATE
1.		RL IN PLAN VIEW
2.		RL IN SECTION VIEW
3.		WATER LEVEL
4.		WATER FLOW DIRECTION

**11. LEGEND:-**

- EL - ELEVATED LEVEL
- WW-V1 - WASHWATER ISOLATION TANK VALVE
- WW-V2 - WASHWATER INLET VALVE
- PW-V1 - WASHWATER INLET VALVE
- WW-V2 - PUREWATER OUTLET VALVE
- PW-V2 - PUREWATER SUMP INLET VALVE
- D-V1 - DRAIN VALVE
- D-V2 - WASHWATER DISPOSAL VALVE
- S-V1 - SLUICE VALVE



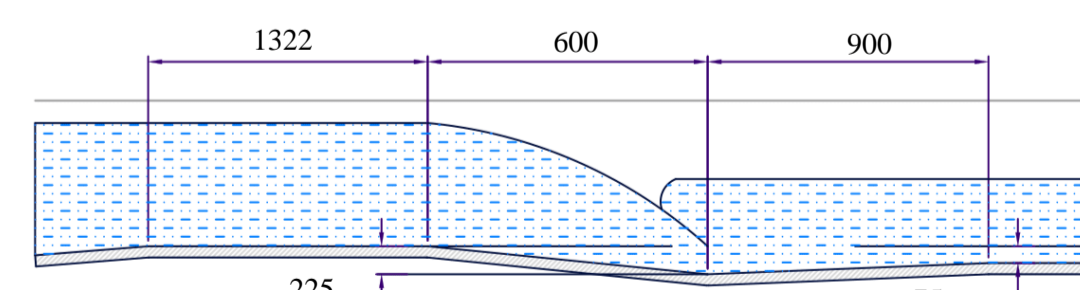
**SECTION A-A**



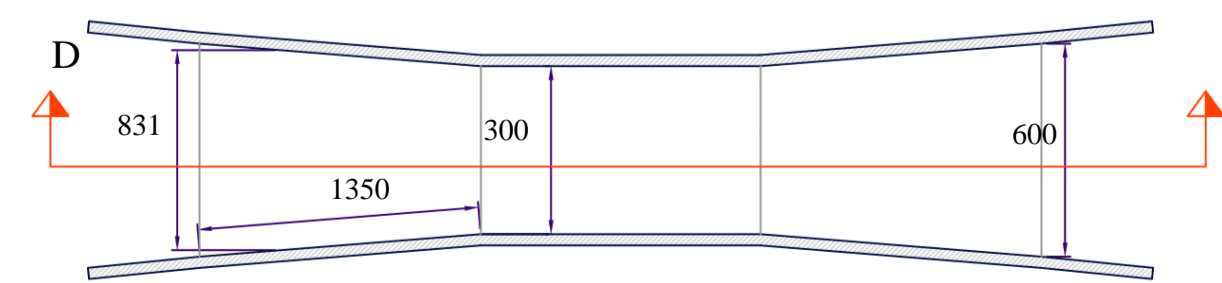
**DETAIL AT - B**

**SECTION B-B**

**SECTION C-C**



**SECTIONAL ELEVATION AT D-D**



**DIMENSION DETAILS OF PARSHALL FLUME AT - A**

**HYDRAULIC PROCESS GA DRAWING**

CHIEF ENGINEER	SUPERINTENDANT ENGINEER
EXECUTIVE ENGINEER	DEPUTY ENGINEER
PROOF CONSULTANT	CONSULTANT

DATE	DESCRIPTION	REVISION NO.	ENGINEER

<b>TITLE</b>	<b>DETAILS OF 5 STEP AERATION FOUNTAIN, PARSHALL FLUME, FLASH MIXER FOR 40 MLD WTP</b>
<b>PROJECT</b>	<b>40MLD WTP Project by iNODE WTP Software</b>
<b>OWNER</b>	<b>INODE SOFTWARE CO.</b> Pune Branch • Office 508 • Nyan Emporium Near The Orchid Hotel • Baner • Pune • India
<b>CLIENT</b>	<b>INODE SOFTWARE CO.</b>
<b>PMC</b>	<b>INODE SOFTWARE CO.</b>
<b>CONSULTANT</b>	<b>INODE SOFTWARE CO.</b>



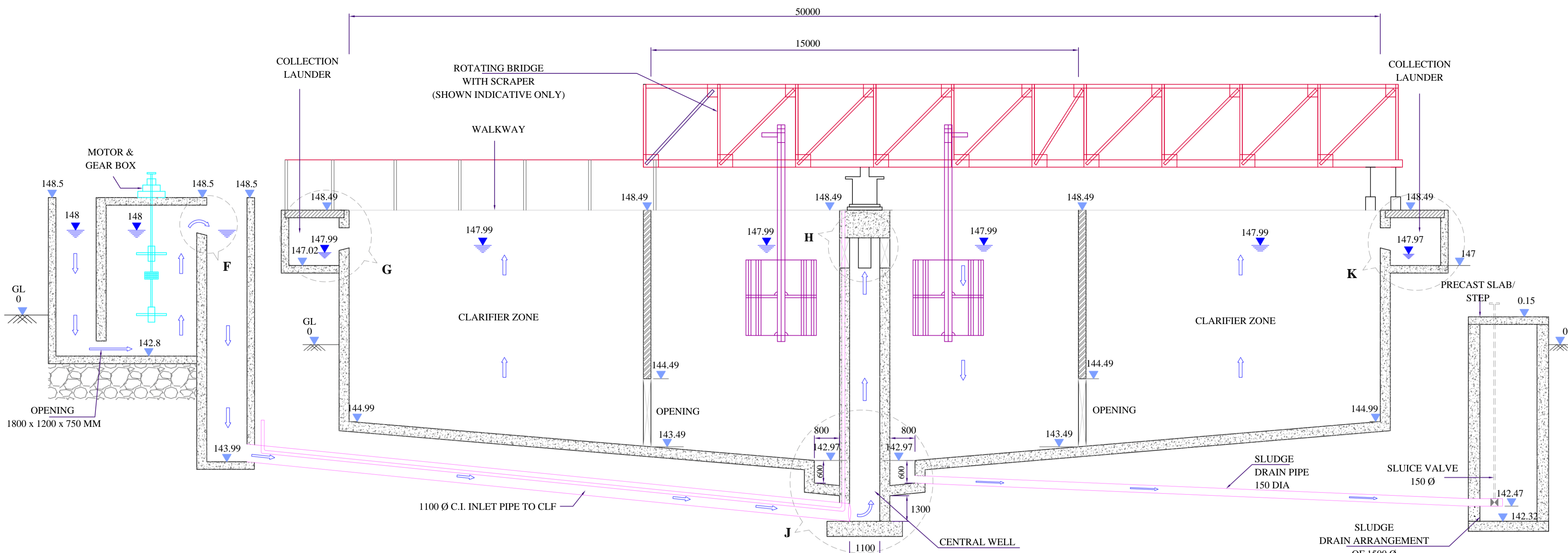
**GENERAL NOTES:-**

1. THESE ARE SOFTWARE GENERATED HYDRAULIC AND PROCESS DRAWINGS.
2. RLS AND INTERNAL SIZES ARE MANDATORY. FOR WALL THICKNESS AND OTHER DETAILS PLEASE REFER WORKING DRAWINGS.
3. ALL DIMENSIONS ARE IN MM. LEVELS AND CO-ORDINATES ARE IN METERS UNLESS OTHERWISE NOTED.
4. DO NOT SCALE THE DRAWINGS PLEASE REFER TO WRITTEN DIMENTION ONLY.
5. VALES, PIPES, PUMPS, BLOWERS, MOTORS, ETC. SHALL BE OF STANDARD MAKE AS PER TENDER SPECIFICATION.
6. ADMIN BUILDING LAYOUT TO BE INCORPORATE AS PER REQUIREMENT WITH FILTER BED IN WORKING DRAWINGS.
7. ALL CHANNELS ARE TO BE CORVED WITH PRECAST SLAB.
8. RAILING, LIGHTING ARRESTOR AND HIDDEN DETAILS ARE AS PER UNIT WHEREVER APPLICABLE.
9. LENGTH OF PIPELINE TO BE TAKEN AS PER SITE LAYOUT AND WORKING DRAWINGS.
10. SYMBOLS USE IN DRAWINGS:-

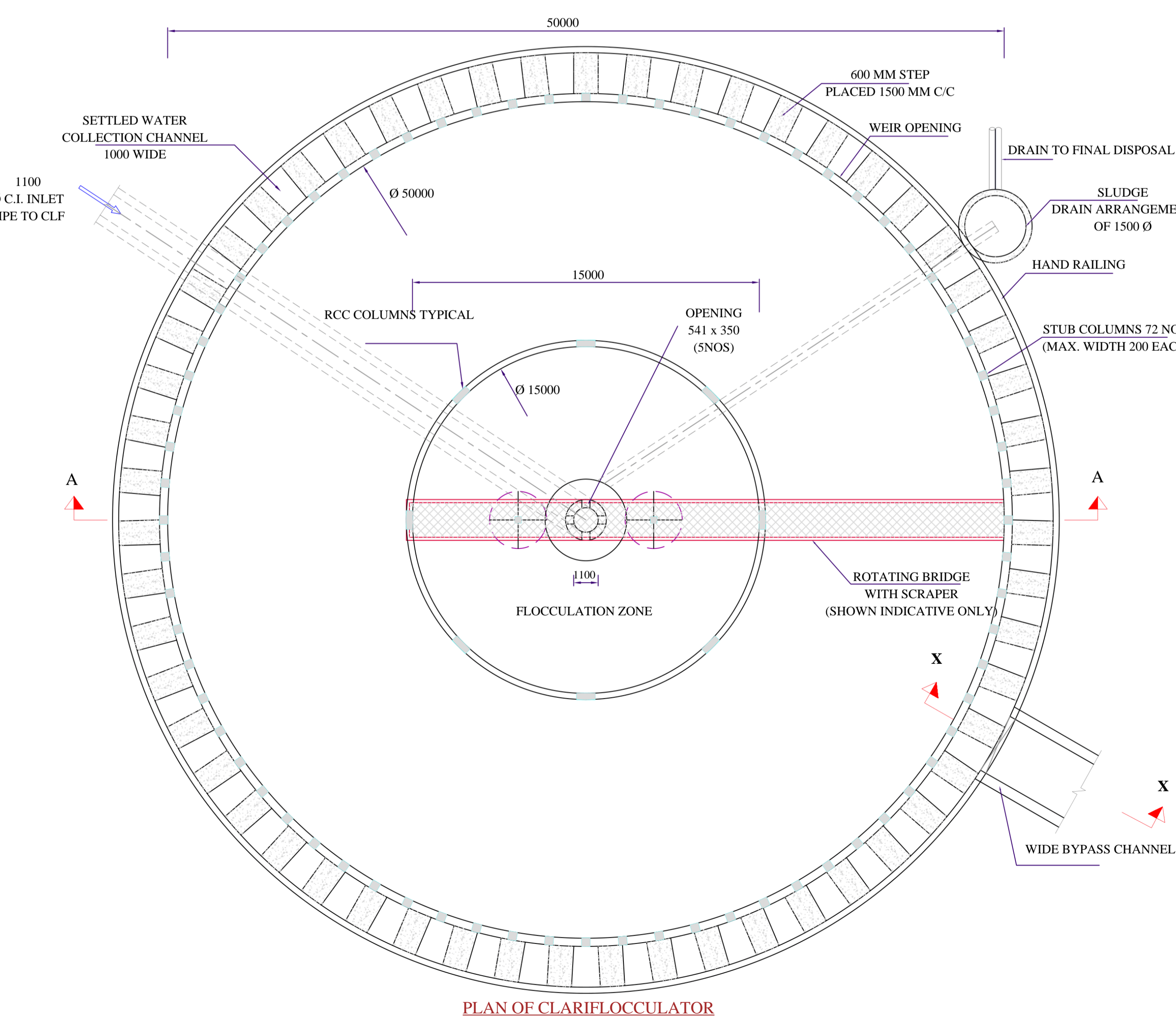
SR. NO.	SYMBOL	INDICATE
1.		RL IN PLAN VIEW
2.		RL IN SECTION VIEW
3.		WATER LEVEL
4.		WATER FLOW DIRECTION

**11. LEGEND:-**

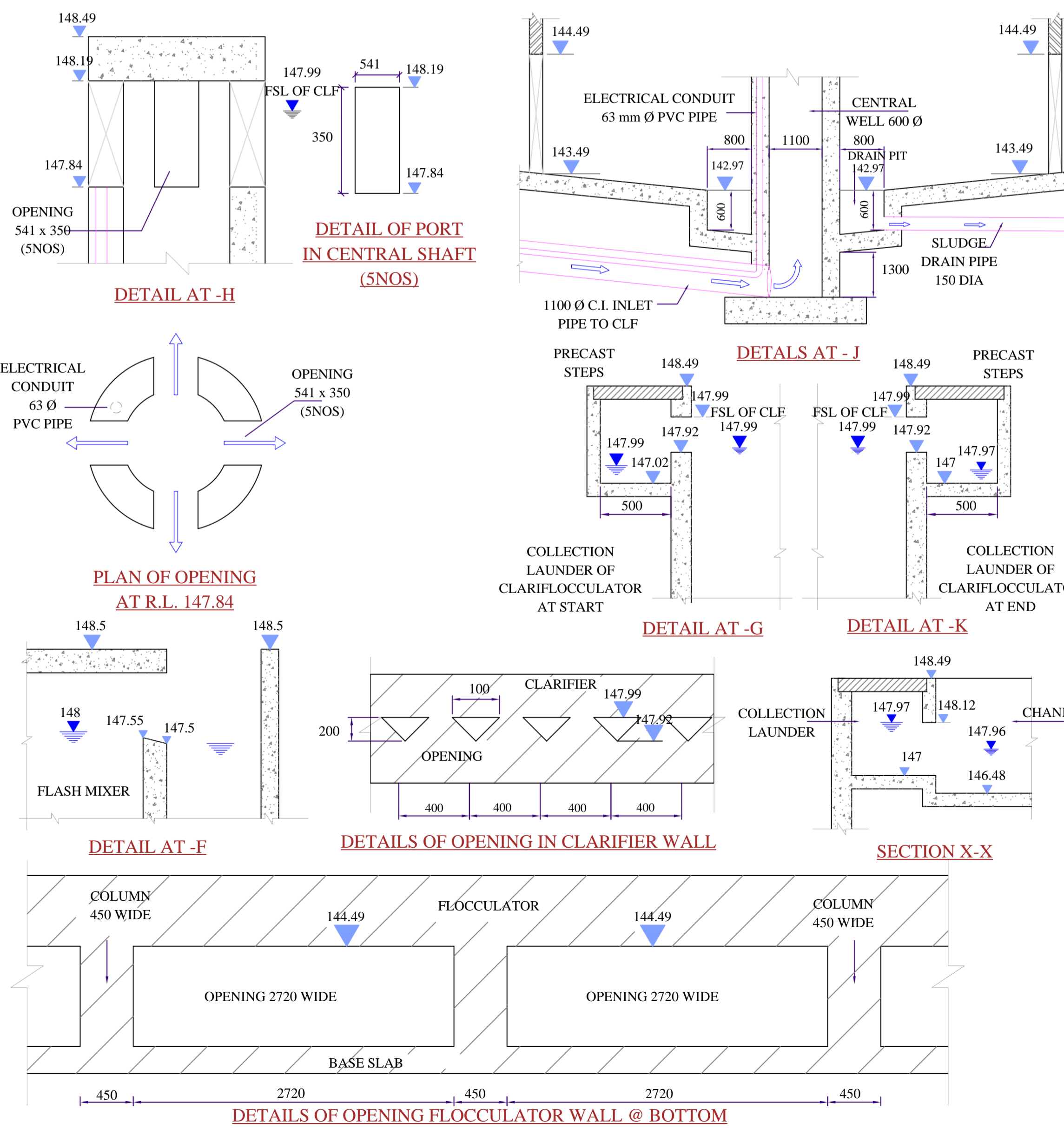
- EL - ELEVATED LEVEL
- WW-V1 - WASHWATER ISOLATION TANK VALVE
- WW-V2 - WASHWATER INLET VALVE
- PW-V1 - WASHWATER INLET VALVE
- WW-V2 - PUREWATER OUTLET VALVE
- PW-V2 - PUREWATER SUMP INLET VALVE
- D-V1 - DRAIN VALVE
- D-V2 - WASHWATER DISPOSAL VALVE
- S-V1 - SLUICE VALVE



**SECTION A-A**



**PLAN OF CLARIFLOCCULATOR**



**DETAIL AT -H**

**DETAIL OF PORT IN CENTRAL SHAFT (SNOS)**

**DETAILS AT -J**

**PLAN OF OPENING AT R.L. 147.84**

**DETAIL AT -F**

**DETAILS OF OPENING IN CLARIFIER WALL**

**SECTION X-X**

**DETAILS OF OPENING FLOCCULATOR WALL @ BOTTOM**

**HYDRAULIC PROCESS GA DRAWING**

CHIEF ENGINEER	SUPERINTENDANT ENGINEER
EXECUTIVE ENGINEER	DEPUTY ENGINEER
PROOF CONSULTANT	CONSULTANT

DATE	DESCRIPTION	REVISION NO.	ENGINEER

TITLE	DETAILS OF CLARIFLOCCULATOR FOR 40 MLD WTP
PROJECT	40MLD WTP Project by iNODE WTP Software
OWNER	iNODE SOFTWARE CO. Pune Branch • Office 508 • Nyan Emporium Near The Orchid Hotel • Baner • Pune • India
CLIENT	iNODE SOFTWARE CO.
PMC	iNODE SOFTWARE CO.
CONSULTANT	iNODE SOFTWARE CO.



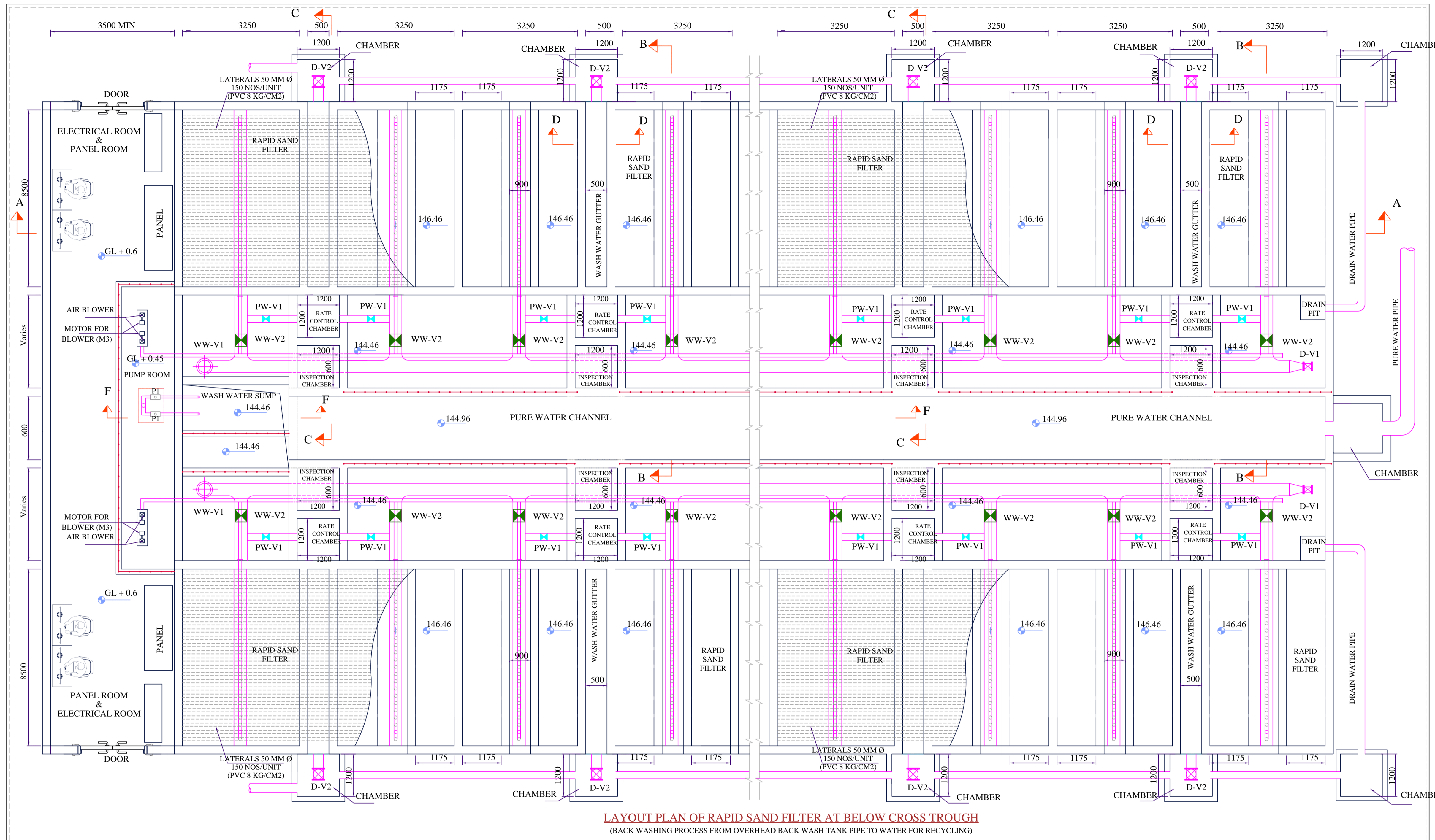
**GENERAL NOTES:-**

1. THESE ARE SOFTWARE GENERATED HYDRAULIC AND PROCESS DRAWINGS.
2. R/L'S AND INTERNAL SIZES ARE MANDATORY. FOR WALL THICKNESS AND OTHER DETAILS PLEASE REFER WORKING DRAWINGS.
3. ALL DIMENSIONS ARE IN MM. LEVELS AND CO-ORDINATES ARE IN METERS UNLESS OTHERWISE NOTED.
4. DO NOT SCALE THE DRAWINGS PLEASE REFER TO WRITTEN DIMENSION ONLY.
5. VALVES, PIPES, PUMPS, BLOWERS, MOTORS, ETC. SHALL BE OF STANDARD MAKE AS PER TENDER SPECIFICATION.
6. ADMIN BUILDING LAYOUT TO BE INCORPORATE AS PER REQUIREMENT WITH FILTER BED IN WORKING DRAWINGS.
7. ALL CHANNELS ARE TO BE CORVED WITH PRECAST SLAB.
8. RAILING, LIGHTING ARRESTOR AND HIDDEN DETAILS ARE AS PER UNIT WHEREVER APPLICABLE.
9. LENGTH OF PIPELINE TO BE TAKEN AS PER SITE LAYOUT AND WORKING DRAWINGS.
10. SYMBOLS USE IN DRAWINGS:-

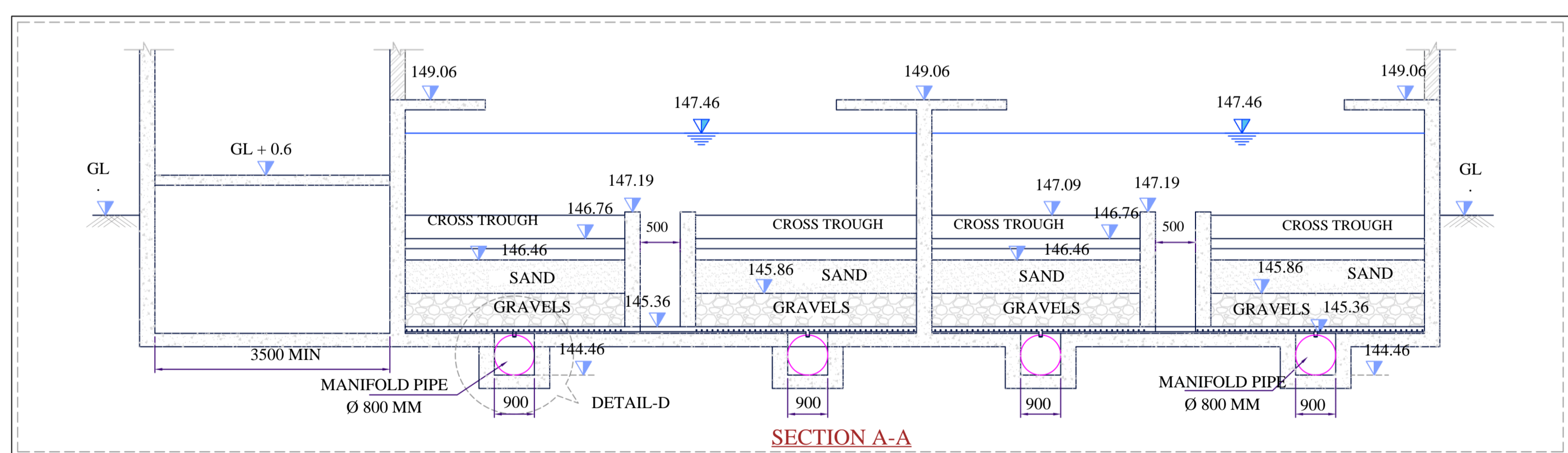
SR. NO.	SYMBOL	INDICATE
1.		RL IN PLAN VIEW
2.		RL IN SECTION VIEW
3.		WATER LEVEL
4.		WATER FLOW DIRECTION

11. Legend:-

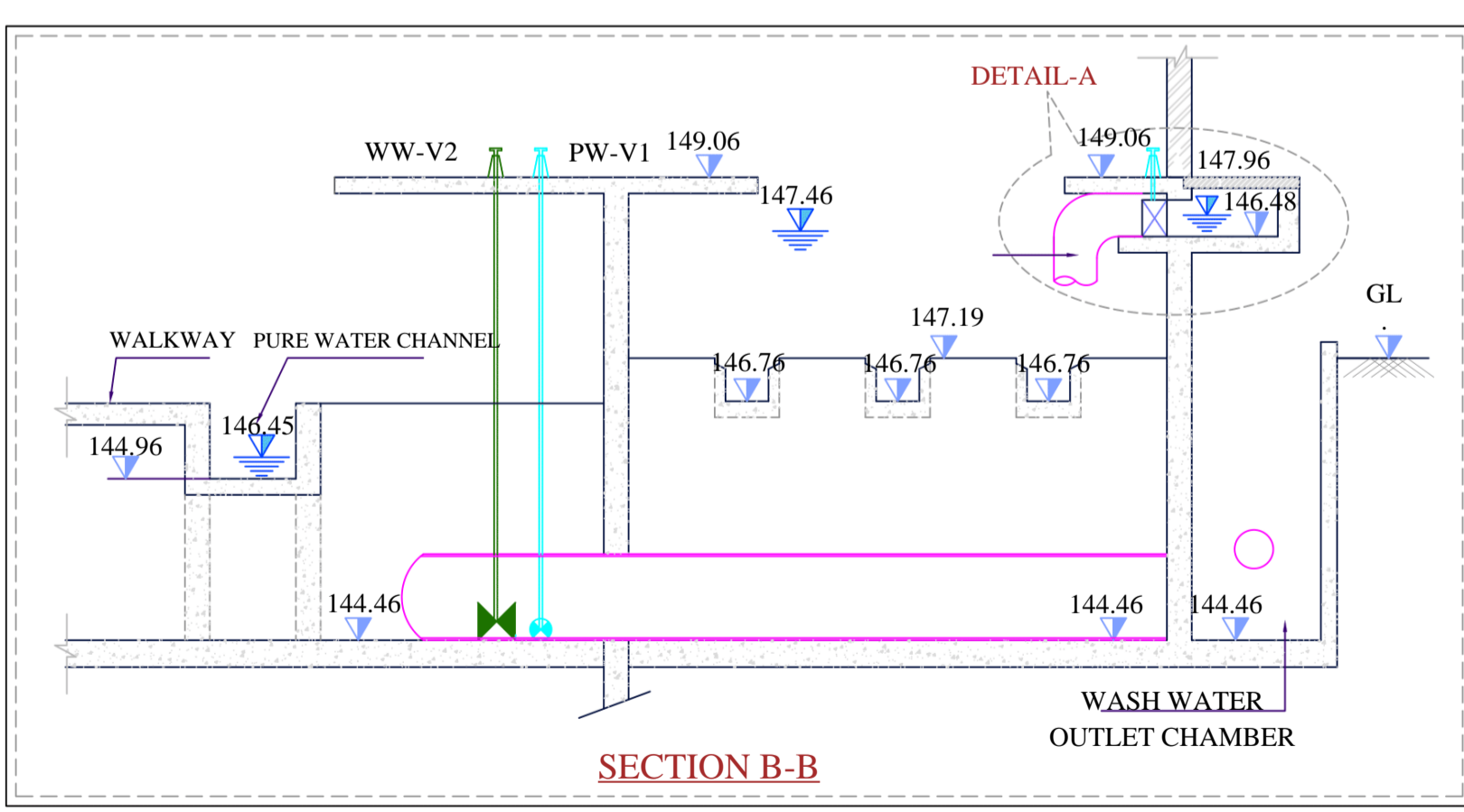
- EL - ELEVATED LEVEL
- WW-V1 - WASHWATER ISOLATION TANK VALVE
- WW-V2 - WASHWATER INLET VALVE
- PW-V1 - WASHWATER INLET VALVE
- WW-V2 - PUREWATER OUTLET VALVE
- PW-V2 - PUREWATER SUMP INLET VALVE
- D-V1 - DRAIN VALVE
- D-V2 - WASHWATER DISPOSAL VALVE
- S-V1 - SLUICE VALVE



**LAYOUT PLAN OF RAPID SAND FILTER AT BELOW CROSS TROUGH**  
(BACK WASHING PROCESS FROM OVERHEAD BACK WASH TANK PIPE TO WATER FOR RECYCLING)



**SECTION A-A**



**SECTION B-B**

DEPTH OF SAND AND GRAVELS				
Sr No	PARAMETER	UNIT	SELECTED CRITERIA	RECOMMENDATION
<b>FOR SAND</b>				
1	DEPTH OF SAND	m	0.6	0.60 TO 0.75 m
2	EFFECTIVE SIZE OF SAND (D <sub>50</sub> )	mm	0.75	0.75 TO 0.900 mm
3	EFFECTIVE SIZE OF SAND (D <sub>10</sub> )	mm	0.6	0.45 TO 0.7 mm
<b>FOR GRAVELS</b>				
1	DEPTH OF GRAVELS	mm	500	500 mm

GRAVELS DEPTH RANGE			
Sr No	RANGE IN SIZE (mm)	RANGE IN DEPTH (mm)	DEPTH TO BE PROVIDED (mm)
1	2 TO 5	50 TO 80	70
2	5 TO 12	50 TO 80	50
3	12 TO 20	80 TO 130	100
4	20 TO 38	80 TO 130	120
5	38 TO 65	130 TO 200	160

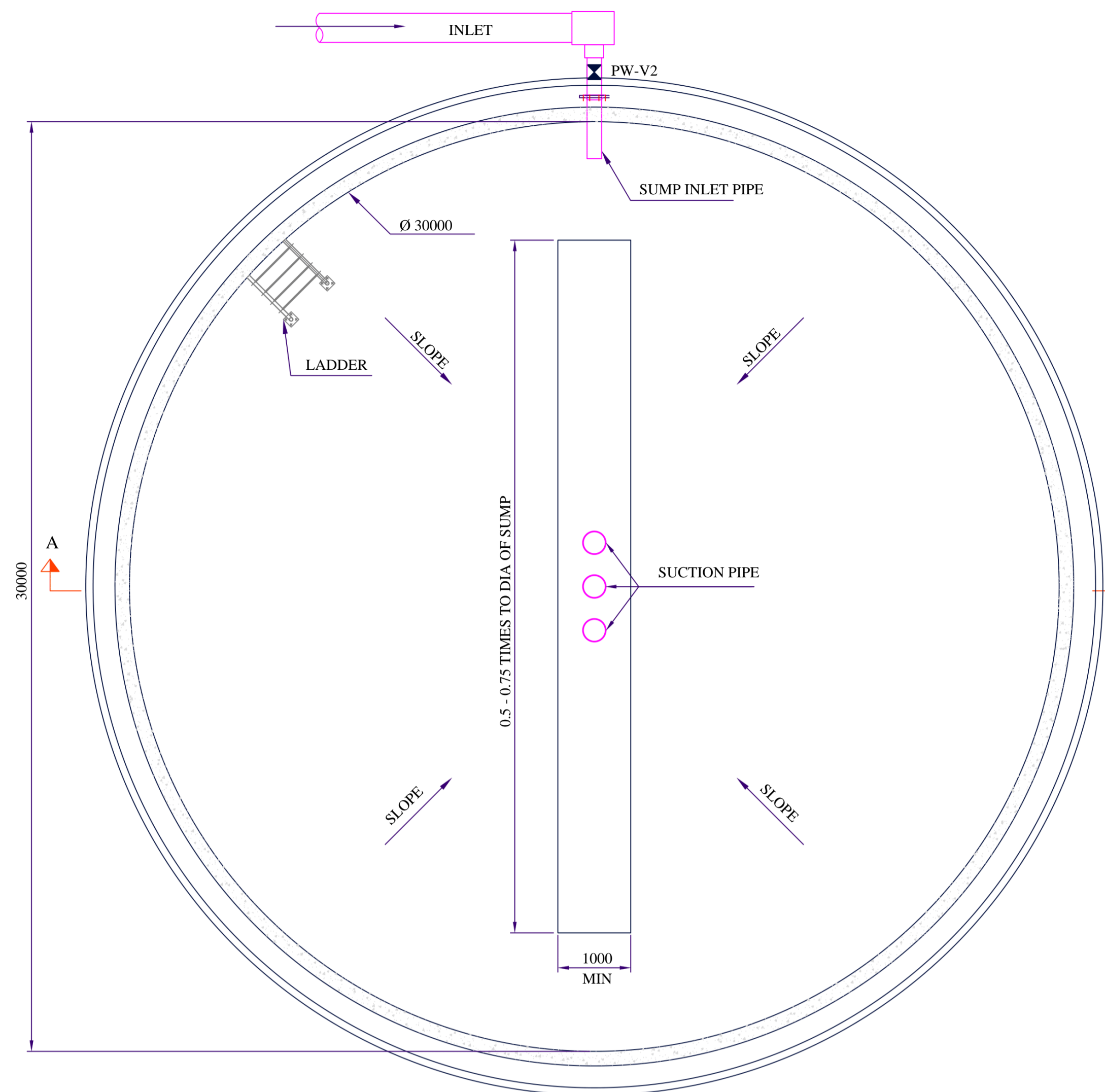
**HYDRAULIC PROCESS GA DRAWING**

CHIEF ENGINEER	SUPERINTENDANT ENGINEER
EXECUTIVE ENGINEER	DEPUTY ENGINEER
PROOF CONSULTANT	CONSULTANT

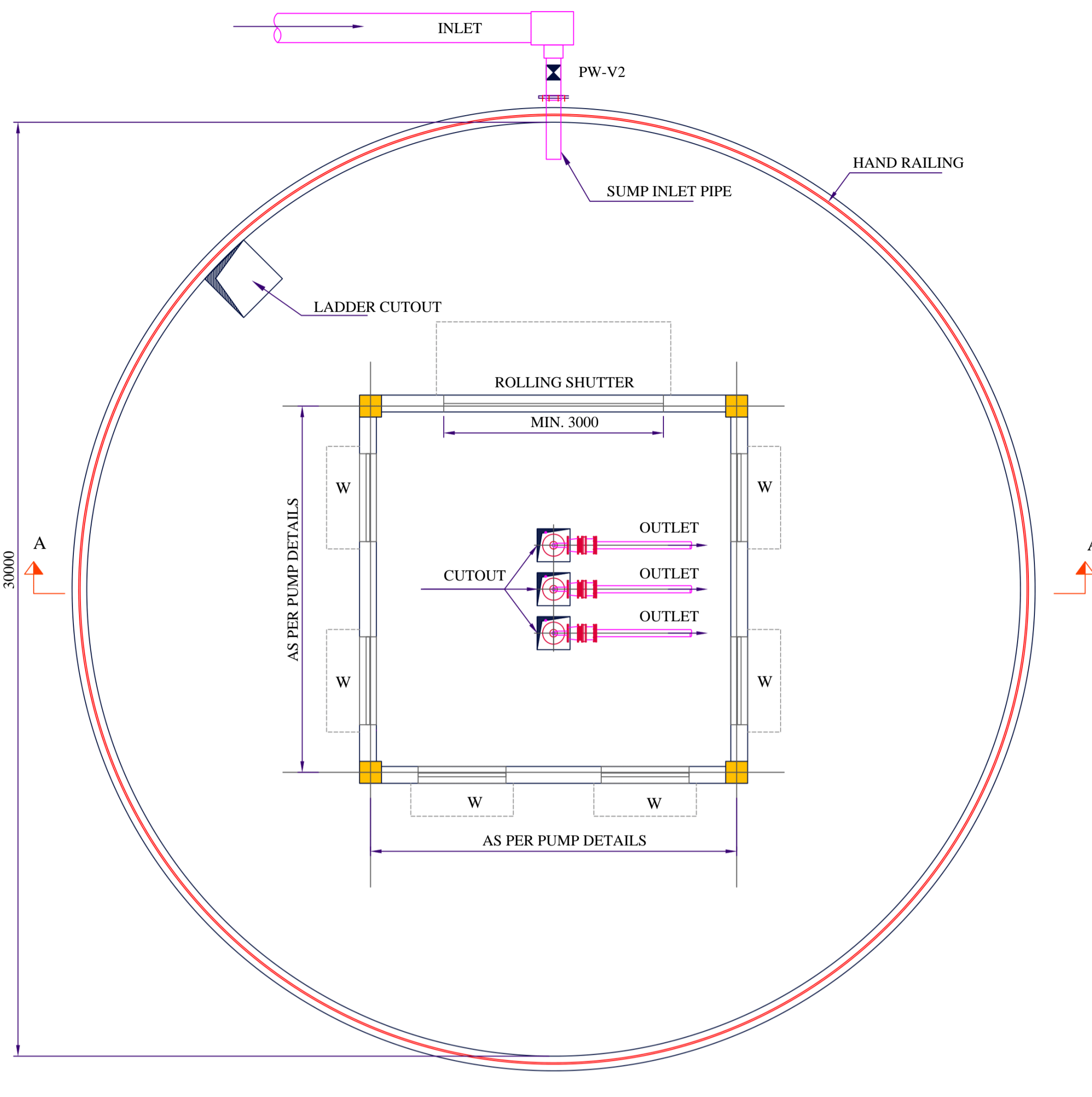
DATE	DESCRIPTION	REVISION NO.	ENGINEER

<b>TITLE</b>	<b>LAYOUT PLAN AND DETAILS OF RAPID SAND FILTER FOR 40 MLD WTP</b>
<b>PROJECT</b>	<b>40MLD WTP Project by iNODE WTP Software</b>
<b>OWNER</b>	<b>INODE SOFTWARE CO.</b> Pune Branch • Office 508 • Nyati Emporium Near The Orchid Hotel • Baner • Pune • India
<b>CLIENT</b>	<b>INODE SOFTWARE CO.</b>
<b>PMC</b>	<b>INODE SOFTWARE CO.</b>
<b>CONSULTANT</b>	<b>INODE SOFTWARE CO.</b>

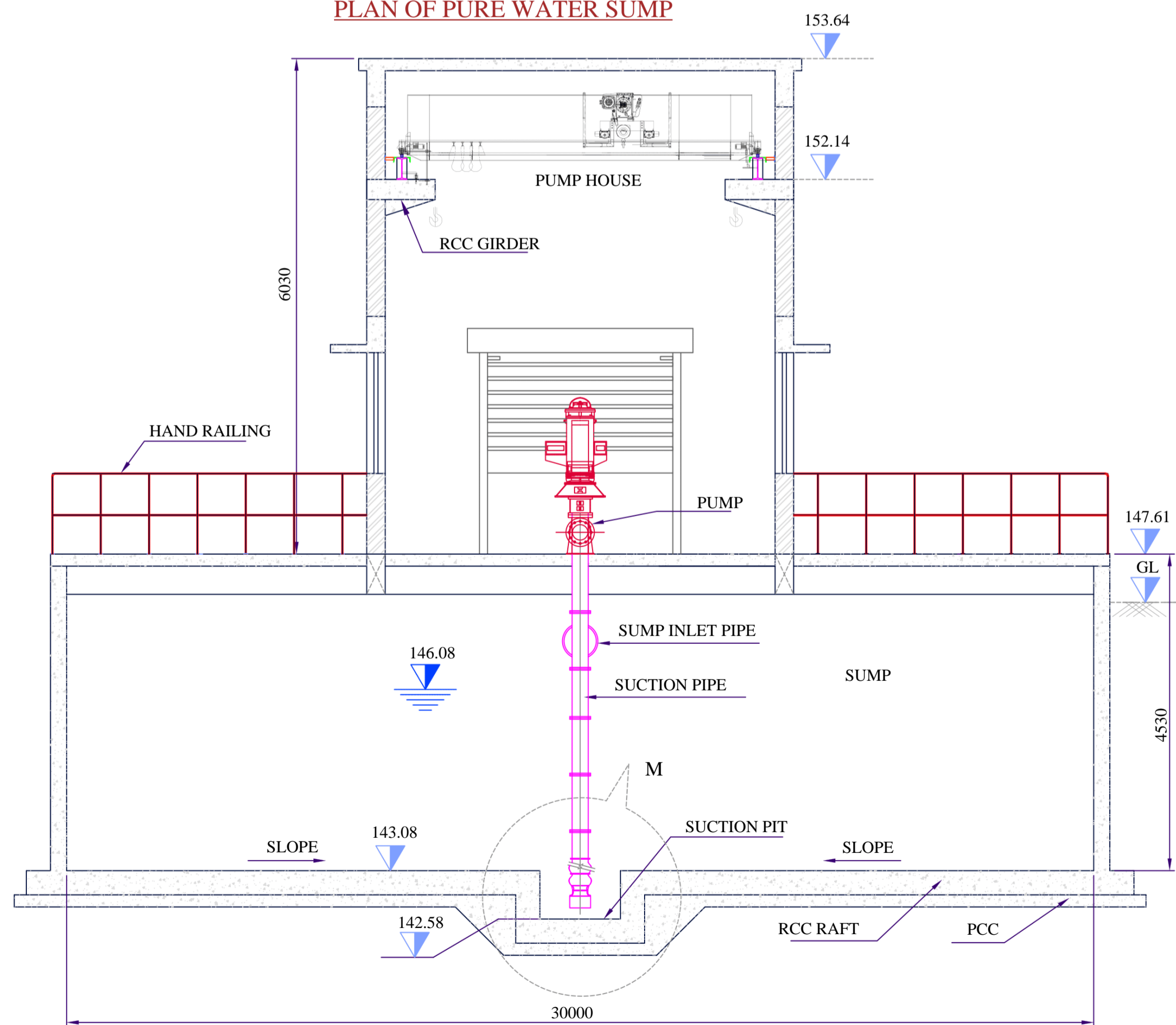




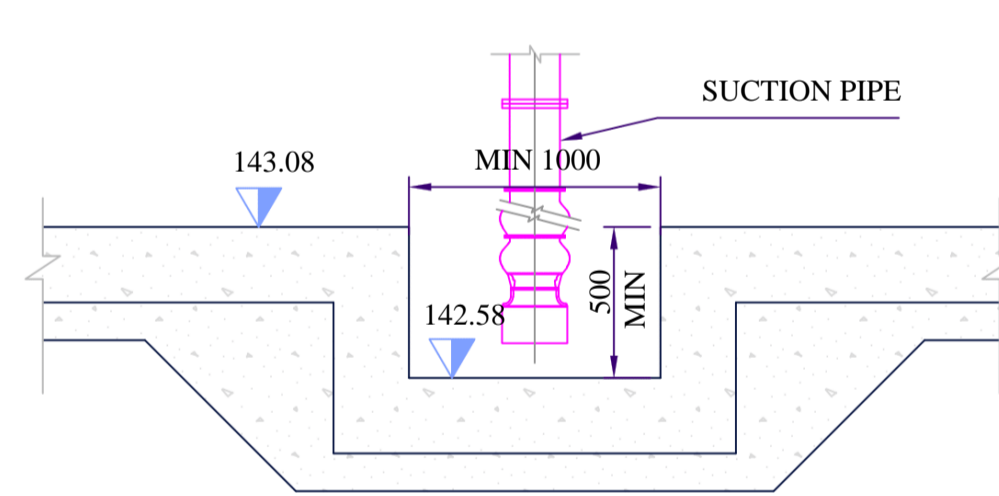
PLAN OF PURE WATER SUMP



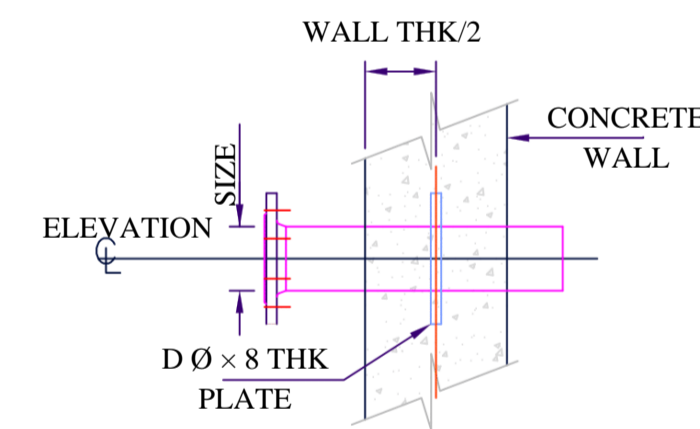
PLAN OF PUMP HOUSE



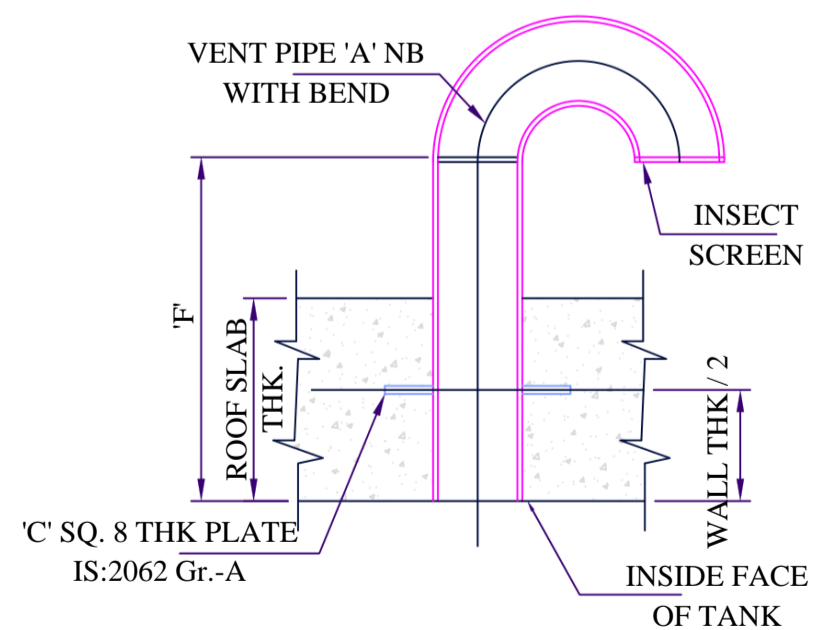
SECTION A-A



DETAIL - M



TYPICAL INLET PIPE



DETAIL FOR VENT PIPE

NOTE:-

1. PUMPHOUSE SIZES SHALL BE CHANGE ACCORDING TO PUMP NUMBERS AND DETAILS.
2. MINIMUM 4 NUMBERS OF VENT PIPES SHALL BE PROVIDE FOR THE PROPER VENTILATION PURPOSE.

GENERAL NOTES:-

1. THESE ARE SOFTWARE GENERATED HYDRAULIC AND PROCESS DRAWINGS.
2. RL'S AND INTERNAL SIZES ARE MANDATORY. FOR WALL THICKNESS AND OTHER DETAILS PLEASE REFER WORKING DRAWINGS.
3. ALL DIMENSIONS ARE IN MM. LEVELS AND CO-ORDINATES ARE IN METERS UNLESS OTHERWISE NOTED.
4. DO NOT SCALE THE DRAWINGS PLEASE REFER TO WRITTEN DIMENTION ONLY.
5. VALES, PIPES, PUMPS, BLOWERS, MOTORS, ETC. SHALL BE OF STANDARD MAKE AS PER TENDER SPECIFICATION.
6. ADMIN BUILDING LAYOUT TO BE INCORPORATE AS PER REQUIREMENT WITH FILTER BED IN WORKING DRAWINGS.
7. ALL CHANNELS ARE TO BE CORVED WITH PRECAST SLAB.
8. RAILING, LIGHTING ARRESTOR AND HIDDEN DETAILS ARE AS PER UNIT WHEREVER APPLICABLE.
9. LENGTH OF PIPELINE TO BE TAKEN AS PER SITE LAYOUT AND WORKING DRAWINGS.
10. SYMBOLS USE IN DRAWINGS:-

SR. NO.	SYMBOL	INDICATE
1.		RL IN PLAN VIEW
2.		RL IN SECTION VIEW
3.		WATER LEVEL
4.		WATER FLOW DIRECTION

11. LEGEND:-

- EL - ELEVATED LEVEL
- WW-V1 - WASHWATER ISOLATION TANK VALVE
- WW-V2 - WASHWATER INLET VALVE
- PW-V1 - WASHWATER INLET VALVE
- WW-V2 - PUREWATER OUTLET VALVE
- PW-V2 - PUREWATER SUMP INLET VALVE
- D-V1 - DRAIN VALVE
- D-V2 - WASHWATER DISPOSAL VALVE
- S-V1 - SLUICE VALVE

HYDRAULIC PROCESS GA DRAWING

CHIEF ENGINEER	SUPERINTENDANT ENGINEER
EXECUTIVE ENGINEER	DEPUTY ENGINEER
PROOF CONSULTANT	CONSULTANT

DATE	DESCRIPTION	REVISION NO.	ENGINEER

<b>TITLE</b>	CIRCULAR PURE WATER SUMP FOR 40 MLD WTP
<b>PROJECT</b>	40MLD WTP Project by iNODE WTP Software
<b>OWNER</b>	iNODE SOFTWARE CO. • Pune Branch • Office 508 • Nyati Emporium Near The Orchid Hotel • Baner • Pune • India
<b>CLIENT</b>	iNODE SOFTWARE CO.
<b>PMC</b>	iNODE SOFTWARE CO.
<b>CONSULTANT</b>	iNODE SOFTWARE CO.

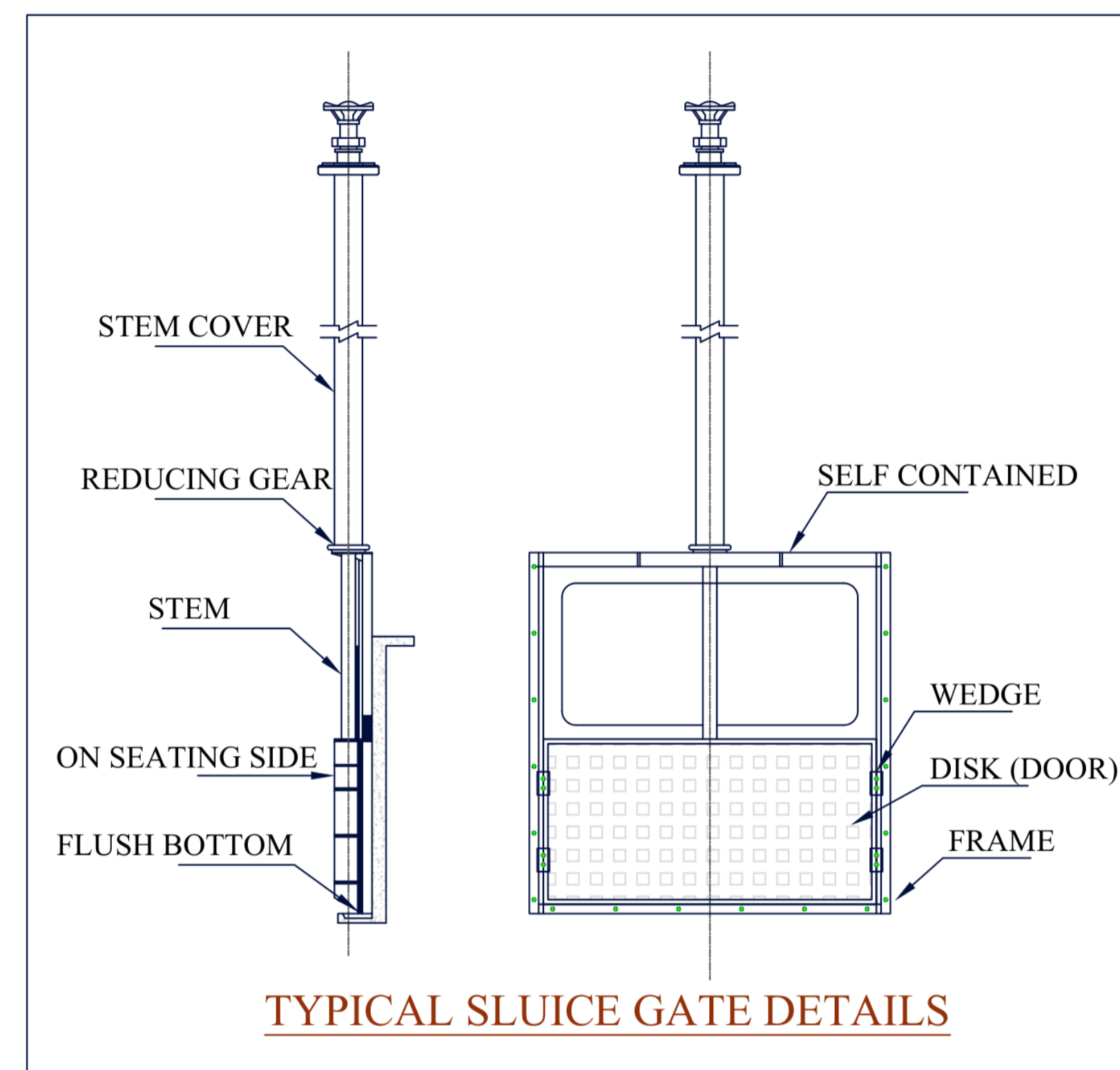
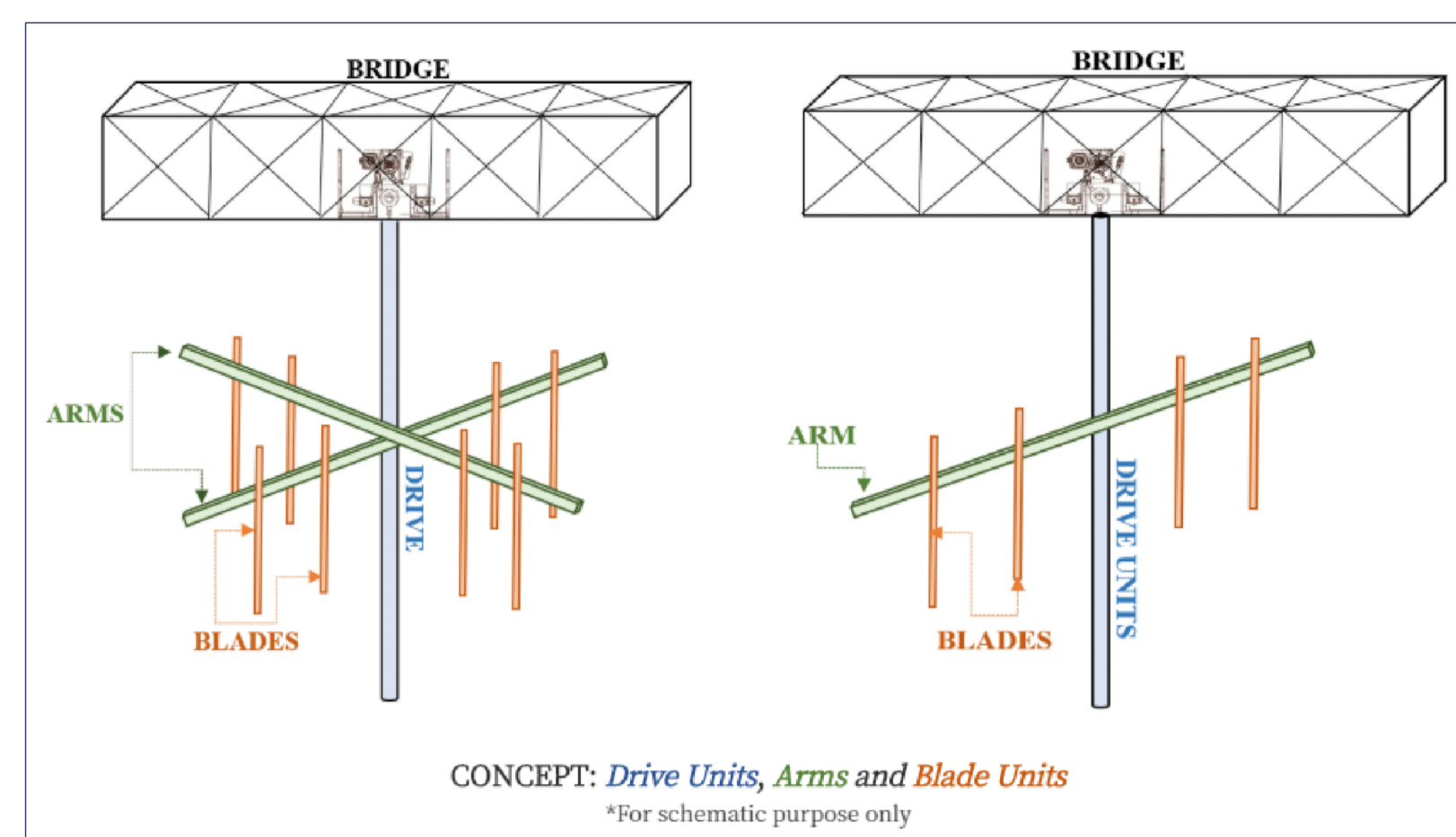


MECHANICAL COMPONENT LIST

AREATION FOUNTAIN AND FLASH MIXER				
Sr. No.	LEGEND	DESCRIPTION	NUMBERS/LENGTH	SIZE/CAPACITY
1	M1	MOTOR WITH GEAR	1	5 HP
2	G1	GATE-1	1	900 X 1450
3	G2	GATE-2	1	900 X 1450
4	-	FLASH MIXER OUTLET PIPE	2.5 M	1100 MM
CLARIFLOCCULATOR				
Sr. No.	LEGEND	DESCRIPTION	NUMBERS/LENGTH	SIZE/CAPACITY
1	M2	FLOCCULATOR MOTOR	2	1 HP
2	-	ROTATING BRIDGE WITH SCRAPER	1	15
3	S-V1	SLUICE VALVE	1	150 MM
4	-	SLUDGE DRAIN PIPE	12 M	150 MM
* NOTE : PIPE LENGTH WILL FINALIZE AS PER THE WORKING DRAWING.				
FILTER BED				
Sr. No.	LEGEND	DESCRIPTION	NUMBERS/LENGTH	SIZE/CAPACITY
1	FI-V	FILTER INLET VALVE	6	400 MM
2	BP-V	BYPASS VALVE	2	1200 MM
3	PW-V1	PUREWATER OUTLET VALVE	12	400 MM
4	WW-V1	WASHWATER ISOLATION TANK VALVE	2	800 MM
5	WW-V2	WASHWATER INLET VALVE	12	800 MM
6	D-V1	DRAIN VALVE	2	800 MM
7	D-V2	WASHWATER DISPOSAL VALVE	12	800 MM
8	P1	WASHWATER PUMP	1	22 HP
9	M3	MOTOR FOR BLOWER	3	1HP
10	-	AIR BLOWER	3	35 M <sup>3</sup> /MIN
11	-	LATERALS	165 M	50 MM
12	-	MANIFOLDS	51 M	800 MM
13	-	PUREWATER PIPES CONNECTED TO MANIFOLDS	39 M	400 MM
14	-	WASHWATER PIPES FOR WASHWATER TANK	10 M	150 MM
15	-	WASHWATER PIPES FOR BACK WASHING	90 M	50 MM
16	-	PUREWATER PIPE	15 M	1200 MM
* NOTE : PIPE LENGTH WILL FINALIZE AS PER THE WORKING DRAWING.				
PUREWATER SUMP				
Sr. No.	LEGEND	DESCRIPTION	NUMBERS/LENGTH	SIZE/CAPACITY
1	PW-V2	PUREWATER SUMP INLET VALVE	1	1200 MM
2	P2	PUREWATER PUMP	1	-
3	PH-C	PUMPHOUSE CRANE	1	-

SUMMARY LIST

MOTORS			
Sr. No.	LEGEND	NUMBERS	CAPACITY
1	M1	1	5 HP
2	M2	2	5 HP
GATES			
Sr. No.	LEGEND	NUMBERS	CAPACITY
1	G1	1	900 X 1450
2	G2	1	900 X 1450
VALVES			
Sr. No.	LEGEND	NUMBERS	CAPACITY
1	S-V1	1	150 MM
2	FI-V	6	400 MM
3	BP-V	2	1200 MM
4	PW-V1	12	700 MM
5	PW-V2	1	1200 MM
6	WW-V1	2	800 MM
7	WW-V2	12	800 MM
8	D-V1	2	800 MM
9	D-V2	12	800 MM
PUMPS			
Sr. No.	LEGEND	NUMBERS	CAPACITY
1	P1	1	22 HP
2	P2	1	-
PIPES			
Sr. No.	DIAMETER	LENGTH	
1	50 MM	255 M	PIPE LENGTH WILL FINALIZE AFTER WORKING DRAWING
2	150 MM	22 M	
3	400 MM	39 M	
4	800 MM	51 M	
5	1100 MM	2.5 M	
6	1200 MM	15 M	
EQUIPMENTS			
Sr. No.	LEGEND	NUMBERS	SIZE/CAPACITY
1	PH-C	1	-
2	ROTATING BRIDGE	1	-
3	AIR BLOWER	3	35 M <sup>3</sup> /MIN



GENERAL NOTES:-

- THESE ARE SOFTWARE GENERATED HYDRAULIC AND PROCESS DRAWINGS.
- RL'S AND INTERNAL SIZES ARE MANDATORY. FOR WALL THICKNESS AND OTHER DETAILS PLEASE REFER WORKING DRAWINGS.
- ALL DIMENSIONS ARE IN MM. LEVELS AND CO-ORDINATES ARE IN METERS UNLESS OTHERWISE NOTED.
- DO NOT SCALE THE DRAWINGS PLEASE REFER TO WRITTEN DIMENTION ONLY.
- VALVES, PIPES, PUMPS, BLOWERS, MOTORS, ETC. SHALL BE OF STANDARD MAKE AS PER TENDER SPECIFICATION.
- ADMIN BUILDING LAYOUT TO BE INCORPORATE AS PER REQUIREMENT WITH FILTER BED IN WORKING DRAWINGS.
- ALL CHANNELS ARE TO BE CORVED WITH PRECAST SLAB.
- RAILING, LIGHTING ARRESTOR AND HIDDEN DETAILS ARE AS PER UNIT WHEREVER APPLICABLE.
- LENGTH OF PIPELINE TO BE TAKEN AS PER SITE LAYOUT AND WORKING DRAWINGS.
- SYMBOLS USE IN DRAWINGS:-

Sr. No.	SYMBOL	INDICATE
1.		RL IN PLAN VIEW
2.		RL IN SECTION VIEW
3.		WATER LEVEL
4.		WATER FLOW DIRECTION

11. legend:-

- EL - ELEVATED LEVEL
- WW-V1 - WASHWATER ISOLATION TANK VALVE
- WW-V2 - WASHWATER INLET VALVE
- PW-V1 - WASHWATER INLET VALVE
- WW-V2 - PUREWATER OUTLET VALVE
- PW-V2 - PUREWATER SUMP INLET VALVE
- D-V1 - DRAIN VALVE
- D-V2 - WASHWATER DISPOSAL VALVE
- S-V1 - SLUICE VALVE

HYDRAULIC PROCESS GA DRAWING

CHIEF ENGINEER	SUPERINTENDANT ENGINEER
EXECUTIVE ENGINEER	DEPUTY ENGINEER
PROOF CONSULTANT	CONSULTANT

DATE	DESCRIPTION	REVISION NO.	ENGINEER
-	-	-	-
-	-	-	-
-	-	-	-
-	-	-	-

TITLE	POSSIBLE LIST OF MECHANICAL COMPONENTS USED IN 40 MLD WTP
PROJECT	40MLD WTP PROJECT BY INODE WTP SOFTWARE
OWNER	INODE SOFTWARE CO. • PUNE BRANCH • OFFICE 508 • NYATI EMPORIUS NEAR THE ORCHID HOTEL • BANER • PUNE • INDIA
CLIENT	INODE SOFTWARE CO.
PMC	INODE SOFTWARE CO.
CONSULTANT	INODE SOFTWARE CO.
DWG. NO: 7001-01-GA-40WTP-11	